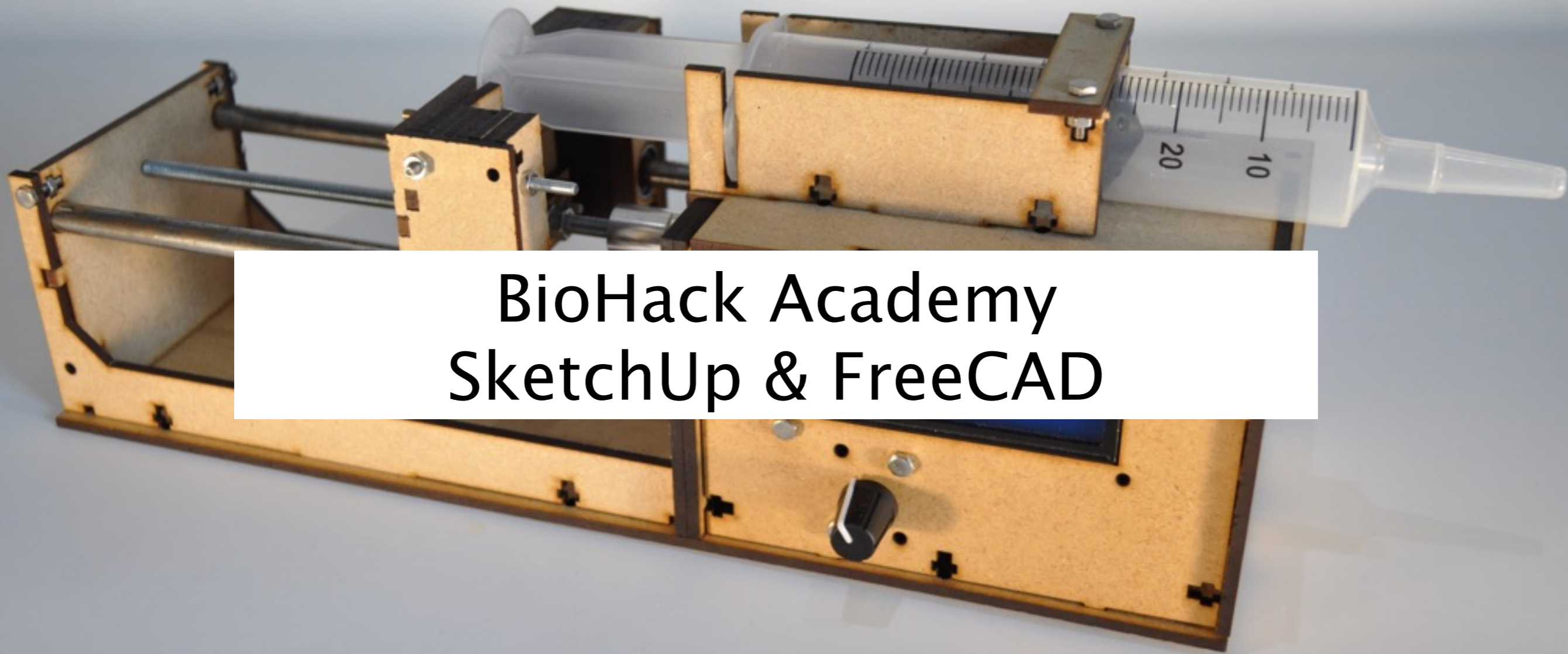




waag society

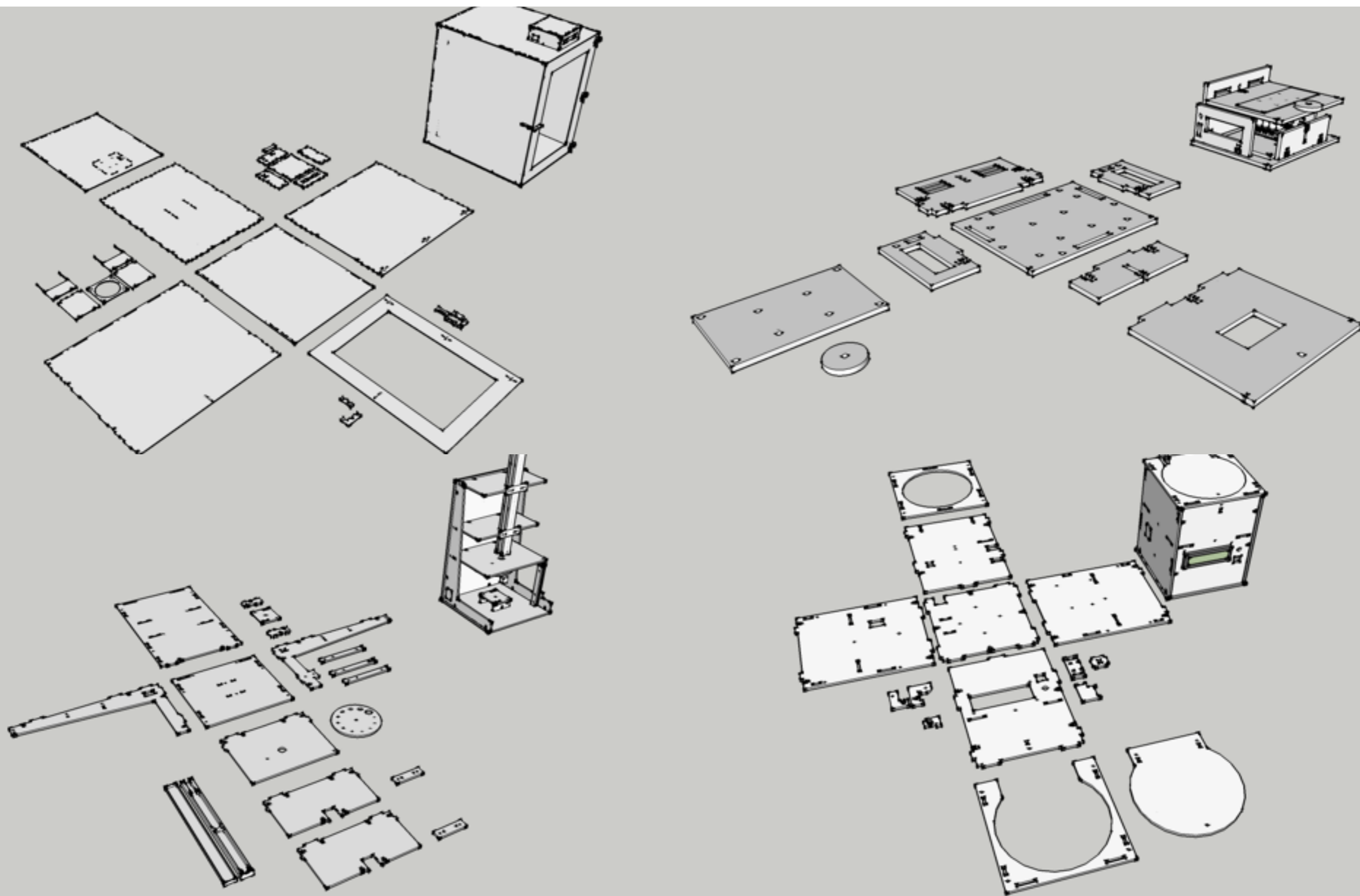
institute for art, science and technology



**BioHack Academy
SketchUp & FreeCAD**

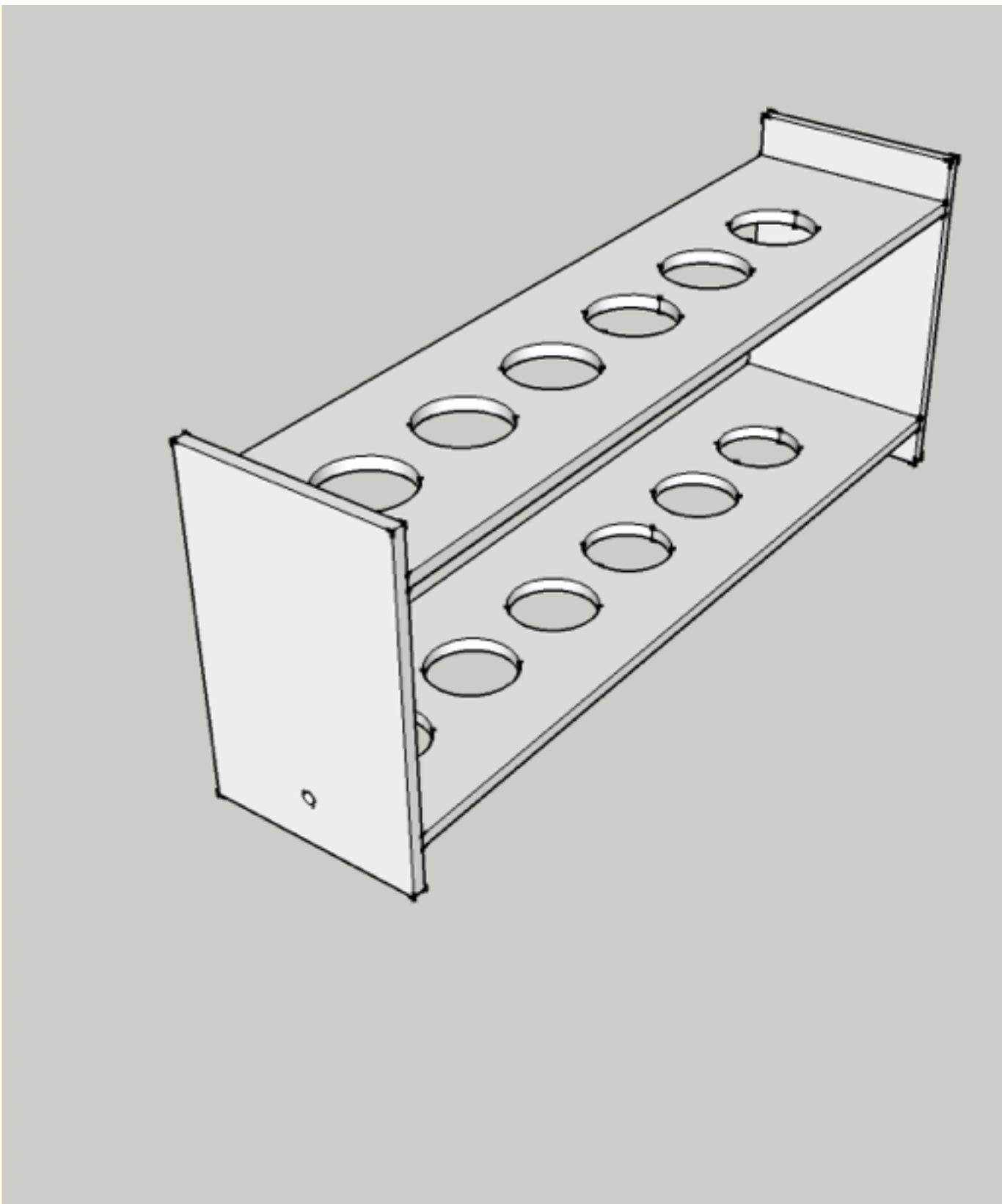
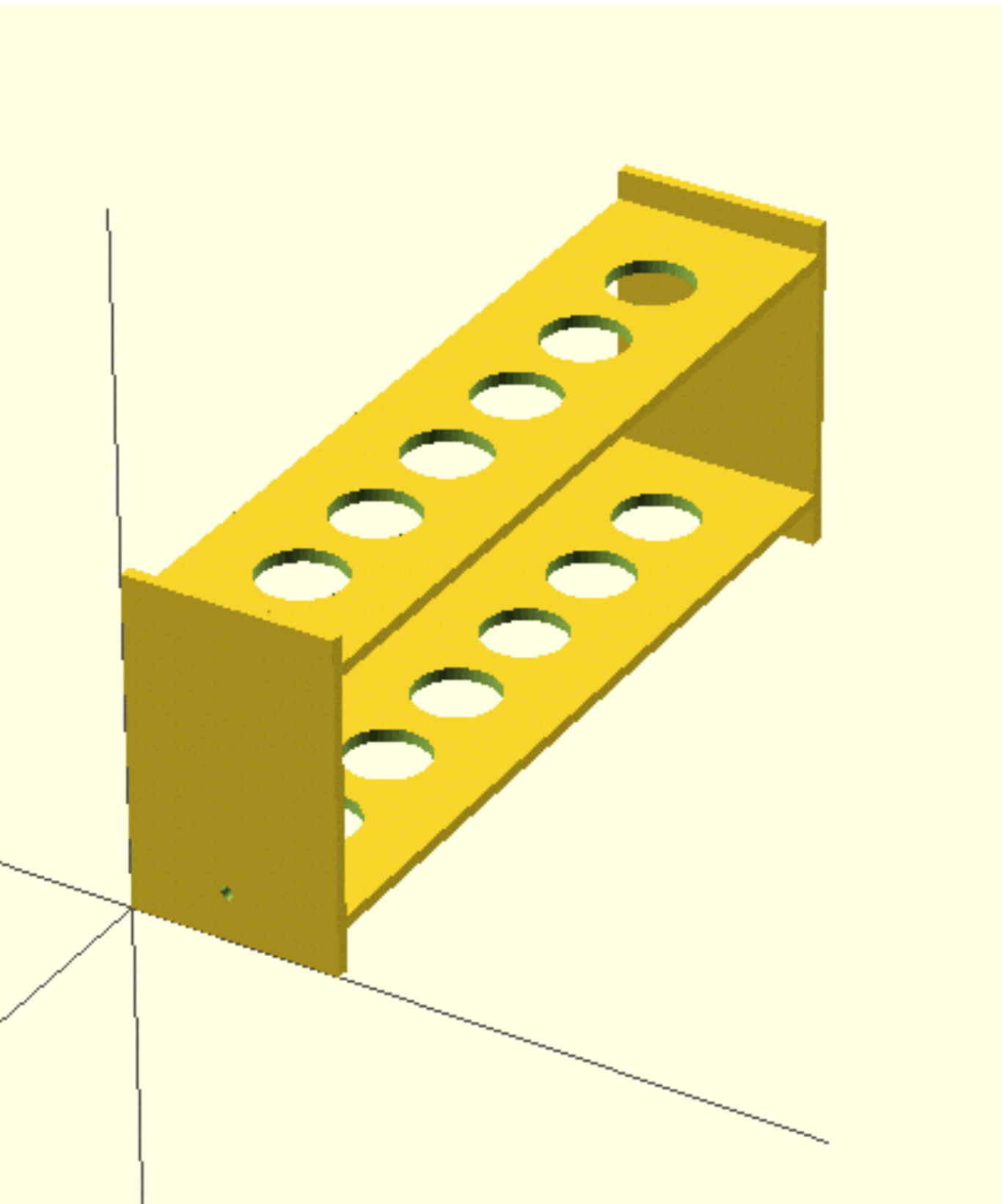


Hacking designs



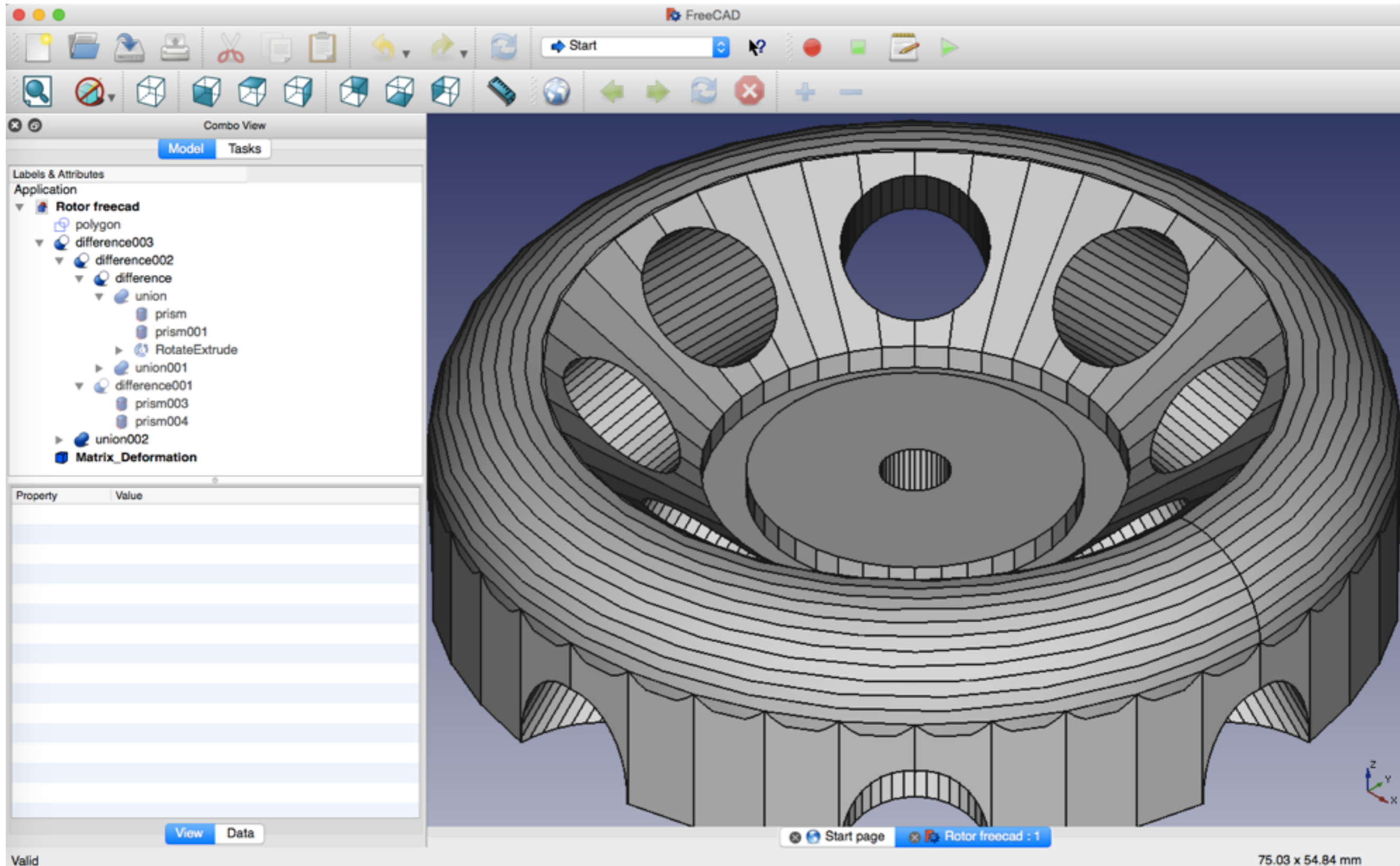


SketchUp vs OpenSCAD



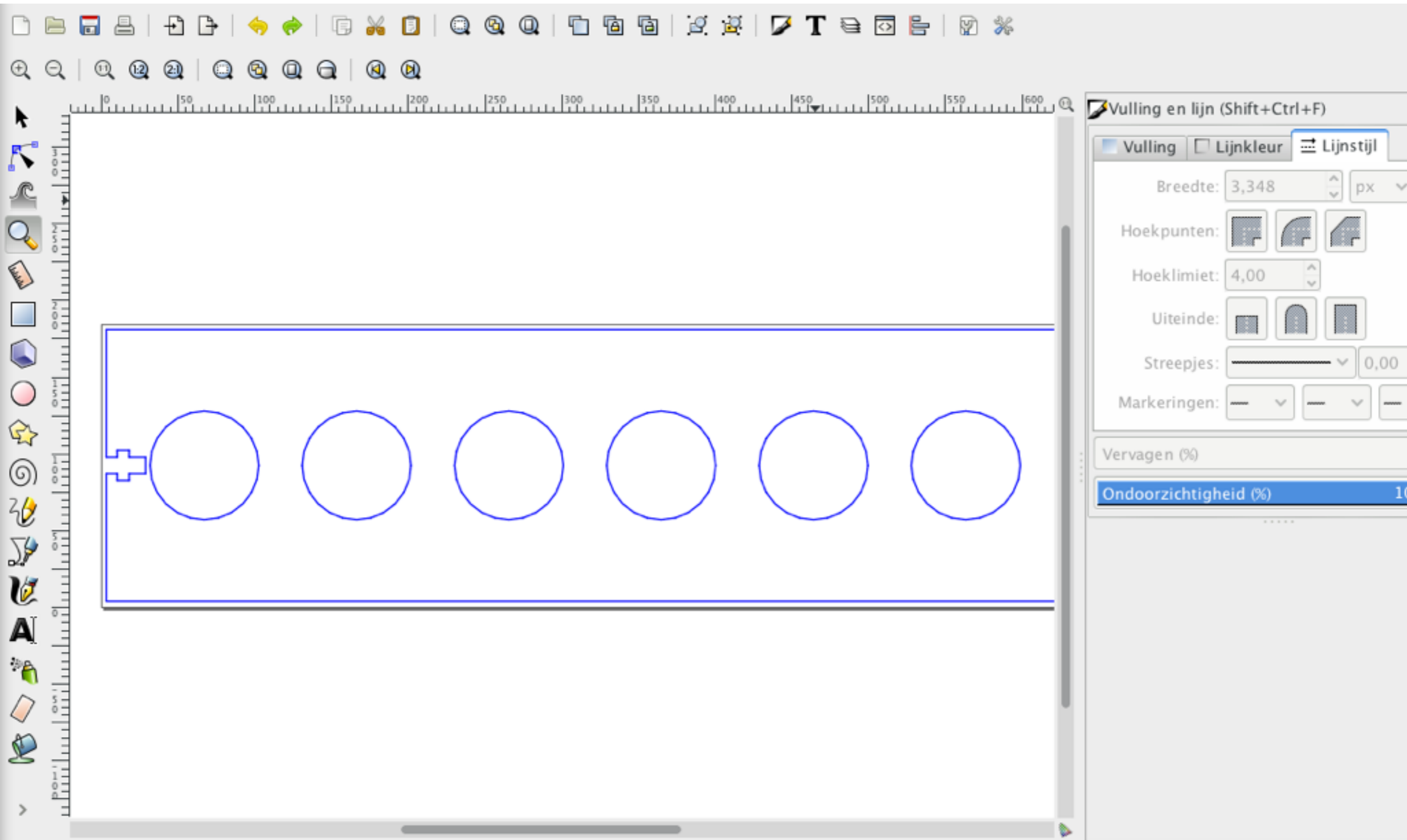


FreeCAD





InkScape





**some
rights
reserved**